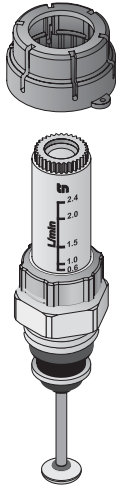
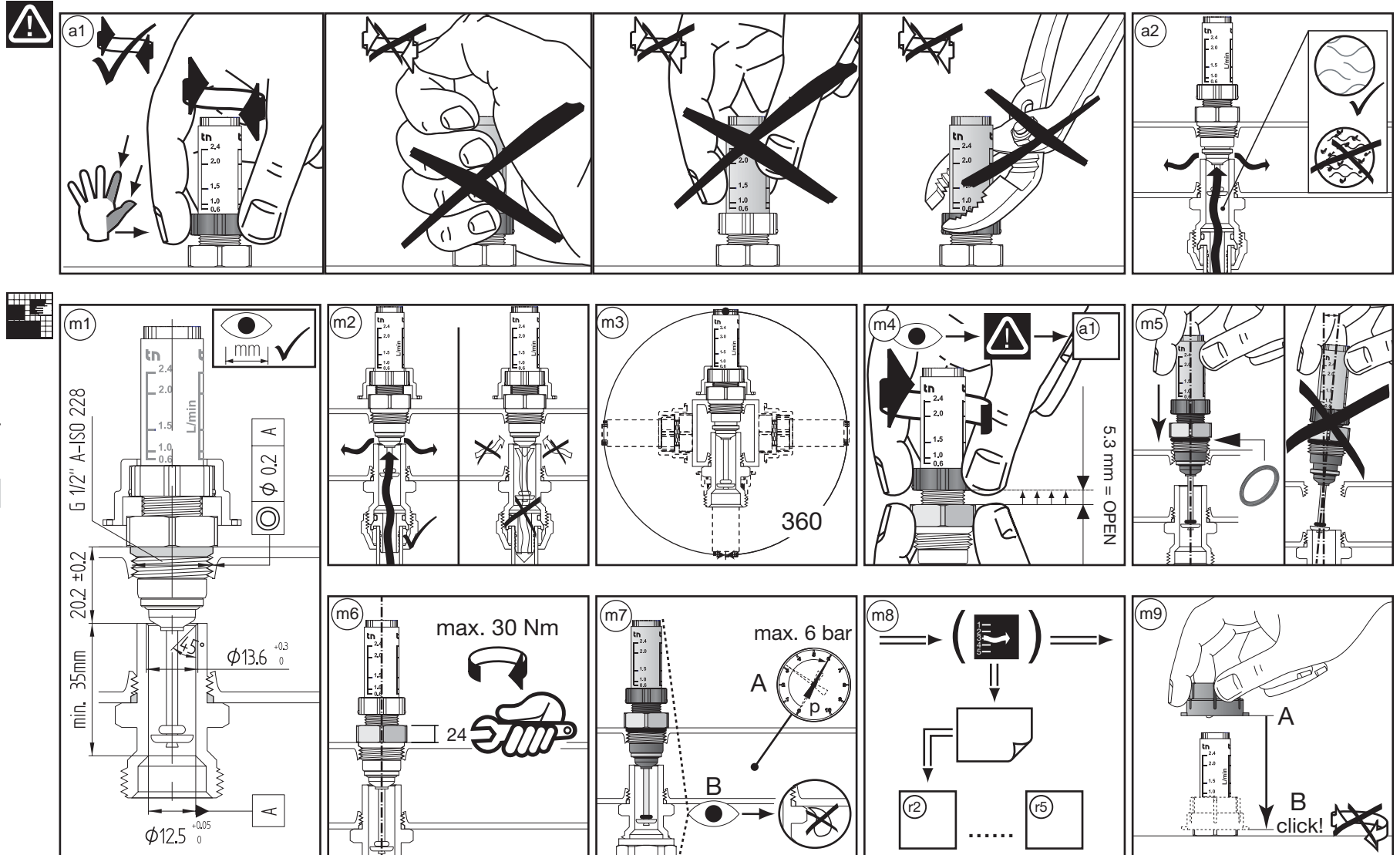


AO 23 TOPMETER RL 1/2"



DN	G	
15	1/2"	24

TB	-10...80°C	
PB	6 bar	



AO 23 TOPMETER RL 1/2"

